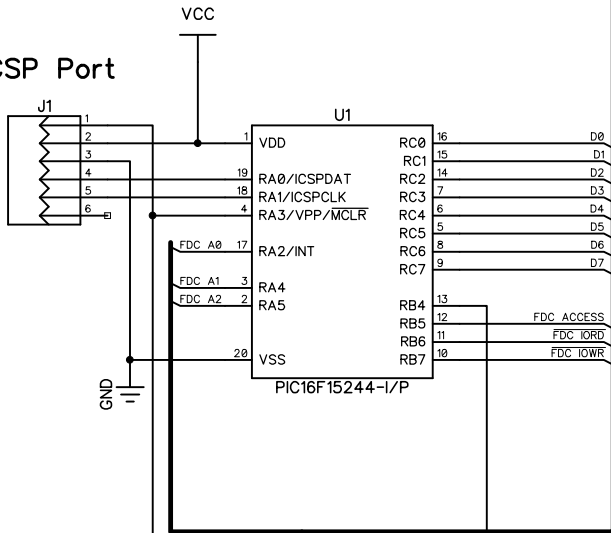
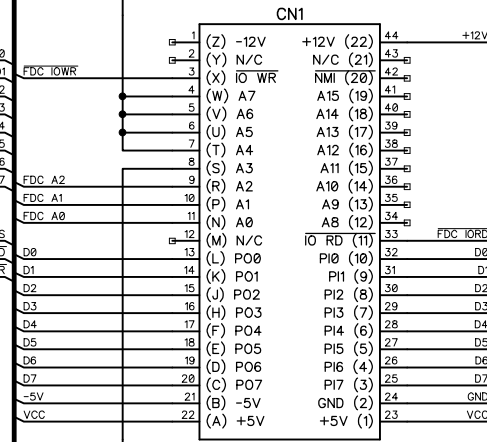


ICSP Port

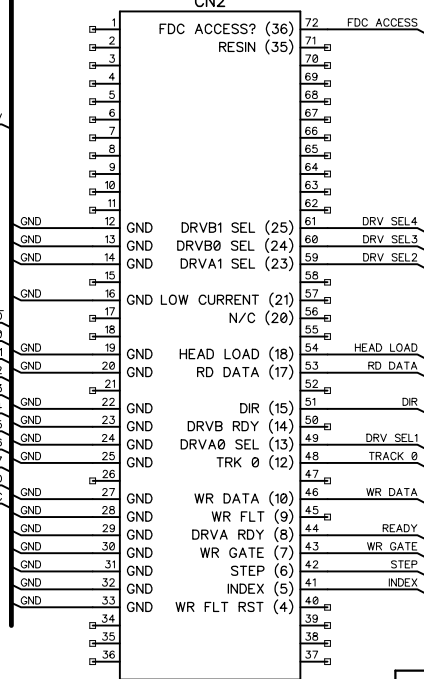


Digital Group I/O



() Indicates Digital Group pin numbering on schematic which is now obsolete as connector pins are numbered 1-44 around the connector.

Digital Group I/O Expansion



Shugart SA801 Cable

