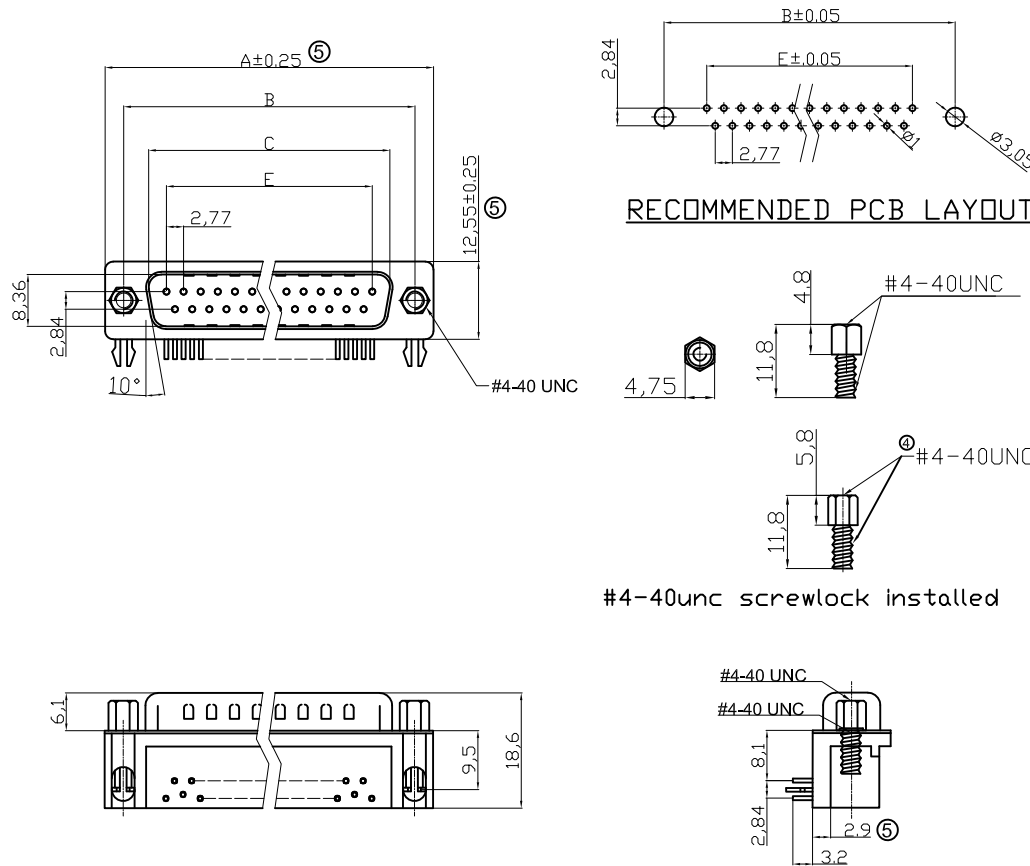


Male



RECOMMENDED PCB LAYOUT

#4-40unc screwlock installed

7.2mm Footprint

NOTES:

MATERIAL

1. Insulator Material: Glass-Filled Thermoplastic PBT ,UL 94V-0,Black
2. Contact Material : Brass
3. Contact plating : Gold flash full gold
4. Shell : Steel,100u" Tin over 50u" min copper
5. Clinch Nut : Copper alloy, Nickel plated
6. Boardlock : Brass , Tin plated
7. Screwlock: Steel, Nickel plated

ELECTRICAL

1. Current Rating : 3AMP
2. Voltage Rating : 250V AC/rms 60Hz
3. Contact Resistance: 20mΩ max at 1 AMP DC
4. Insulation Resistance: 1000MΩ at 500 V DC
5. Withstand Voltage : 1000V AC/rms 60Hz for 1 minute
- ② 6. Operating Temperature: -55°C~+105°C

UL No. E149426

Order Code: A-Dx xx A/KG-xx

Contact style:
 F - Female
 S - Male
 No. of Contacts
 09 / 15 / 25 / 37

Version

- T2 with locking bolts UNC (Gold flash)
- T2S with locking bolts UNC (Gold flash)
- T4 without locking bolts (Gold flash)
- ③ T4-2 without locking bolts (Gold 15u" selective Gold)
- T4S without locking bolts (Gold flash)

④ T2A with UNC screw of 5.8mm

Dimensions

Positions	A	B	C	E
9	30.81	24.99	16.92	11.08
15	39.20	33.30	25.25	19.39
25	53.05	47.04	38.96	33.24
37	69.40	63.50	55.42	49.86

RoHS compliant
Unit: mm

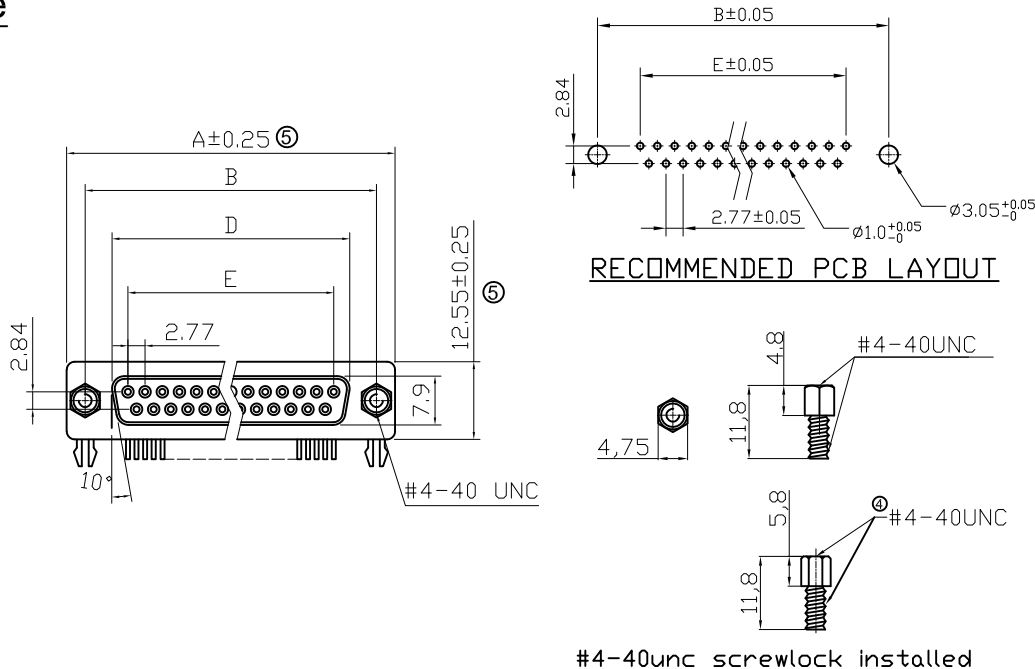
Scale	Free	⑤	Add insulator thickness, update tolerance and adjust profile	18.02.2019	Xavier		Date	Name	Customer-No.
TOLERANCE		④	Add the specification:T2A	13.06.2017	Winnie	Drawn	15.08.2012	Lucas	ASSMANN WSW-No. A-Dx xx A/KG-T2/T2S/T4/T4-2/T4S/T2A
X.	±0.38	③	Add the plating specification 15u"Au	05.03.2015	Winnie	Approved	13.06.2017	Winnie	
X.X	±0.25	②	Update the operating temperature	05.06.2014	Winnie				
X.XX	±0.13	①	Update	24.10.2012	Winnie				Drawing-No.
DIM	TOL	①							ASSMANN WSW components
X.°	±3°	①	Drawn	15.08.2012	Lucas				
X.X°	±1.0°	①							ASS 4888 CO
Angle	TOL	Id.	Modification	Date	Name				rev05
									Replace
									Sheet 1/2



ASS 4888 CO rev05

Replace Sheet 1/2

Female



NOTES:

MATERIAL

- 1. Insulator Material: Glass-Filled Thermoplastic PBT ,UL 94V-0,Black
- 2. Contact Material : Copper alloy
- 3. Contact plating : Gold flash full gold
- 4. Shell : Steel,100u" Tin over 50u" min copper
- 5. Boardlock : Brass , Tin plated
- 6. Screwlock: Steel, Nickel plated

ELECTRICAL

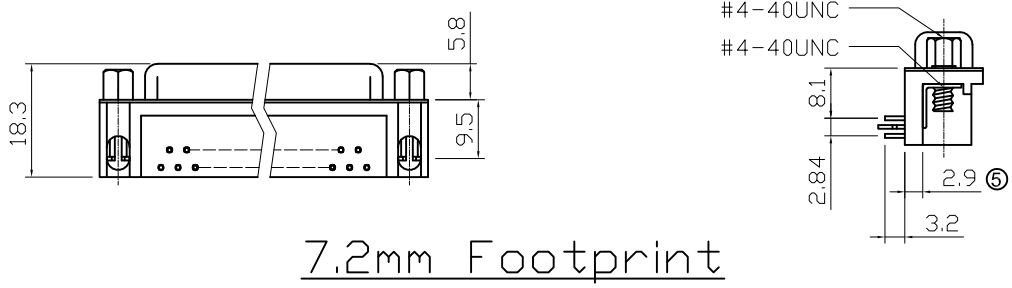
- 1. Current Rating : 3AMP
 - 2. Voltage Rating : 250V AC/rms 60Hz
 - 3. Contact Resistance: 20mΩ max at 1 AMP DC
 - 4. Insulation Resistance: 1000MΩ at 500 V DC
 - 5. Withstand Voltage : 1000V AC/rms 60Hz for 1 minute
 - ② 6. Operating Temperature: -55°C~+105°C
- UL No. E149426
Order Code: A-Dx xx A/KG-xx

Contact style:
F - Female
S - Male
No. of Contacts
09 / 15 / 25 / 37

- Version
- T2 with locking bolts UNC (Gold flash)
 - T2S with locking bolts UNC (Gold flash)
 - T4 without locking bolts (Gold flash)
 - ③ T4-2 without locking bolts (Gold 15μ" selective Gold)
 - T4S without locking bolts (Gold flash)
 - ④ T2A with UNC screw of 5.8mm

Dimensions

Positions	A	B	D	E
9	30.81	24.99	16.33	11.08
15	39.20	33.30	24.70	19.39
25	53.05	47.04	38.40	33.24
37	69.40	63.50	54.80	49.86



7.2mm Footprint

RoHS compliant
Unit: mm

Scale	Free	⑤	Add insulator thickness, update tolerance and adjust profile	18.02.2019	Xavier		Date	Name	Customer-No.
TOLERANCE		④	Add the specification:T2A	13.06.2017	Winnie	Drawn	15.08.2012	Lucas	ASSMANN WSW-No. A-Dx xx A/KG-T2/T2S/T4/T4-2/T4S/T2A
X.	±0.38	③	Add the plating specification 15u"Au	05.03.2015	Winnie	Approved	13.06.2017	Winnie	
X.X	±0.25	②	Update the opeating temperature	05.06.2014	Winnie				
X.XX	±0.13	①	Update	24.10.2012	Winnie				
DIM		①	Update	24.10.2012	Winnie				Drawing-No. ASS 4888 CO
X.°	±3°	①	Drawn	15.08.2012	Lucas				
X.X°	±1.0°	①	Drawn	15.08.2012	Lucas				Replace
Angle	TOL	Id.	Modification	Date	Name				



ASS 4888 CO rev05